

traxon



1PXL Cove Light XR CW/WW/DW



MB.CL.5060100
MB.CL.5070100
MB.CL.5080100

The Traxon 1PXL Cove Light XR CW/WW/DW crisp shades of cold/warm/dynamic white with a wide beam angle. Its slim profile and plug and play TX Connect system ensure high design flexibility. With auto-addressing ON/OFF function, this fixture maximizes the number of products that can be controlled within a standard DMX universe.



OSRAM



PRODUCT SPECIFICATIONS

- **Models:** MB.CL.5060100: 1PXL Cove Light XR CW (12 Cold White LEDs; 3 DMX channels)
MB.CL.5070100: 1PXL Cove Light XR WW White (12 Warm White LEDs; 3 DMX channels)
MB.CL.5080100: 1PXL Cove Light XR DW (12 Cold White + 12 Warm White LEDs; 3 DMX channels)
- **Light Source:** 12 (or 24) High intensity SMD LEDs
- **Color Temperature:** Cold White (CW) = 7000 K; Warm White (WW) = 3500 K; Dynamic White™ (DW) = 3500-7000 K
- **Color Resolution:** -
- **Beam Angle:** 120°
- **Cover Lens:** -
- **LED Pitch:** 24.5mm / 0.96"
- **Housing:** Transparent PC cover; beige ABS backcase
- **Adjustment Options:** 180° swing angle
- **Size:** 295mm x 44.7mm x 35mm / 11.61" x 1.76" x 1.38"
- **Weight:** 200g / 0.44lbs
- **Regulatory Listing & Safety Approval:** CE, FCC, cETLus
- **Operating Temperature:** 0° C ~ +40° C / 32° F ~ 104° F
- **Storage Temperature:** -20° C ~ +70° C / -4° F ~ 158° F
- **Rating:** Indoor
- **Humidity:** 0~90% non-condensing

ELECTRICAL SPECIFICATIONS

- **Operating Voltage:** 24V DC
- **Power Consumption:** MB.CL.5060100: 5W max.
MB.CL.5070100: 5W max.
MB.CL.5080100: 10W max.

SYSTEM SPECIFICATIONS

- **Power/Data Interface:** TX CONNECT Smart Indoor
- **Control:** DMX512
- **Power Supply:** LED Engine Smart 100W Indoor (PS.IA.0010000)
- **Addressing Options:** Auto-Addressing ON/OFF

LED CHARACTERISTICS Because LEDs are semiconductor devices, their performances are subject to inherent variability commonly found in semiconductor industry. To improve consistency in performance across the same product, LED manufacturers "sort" LEDs into bins according to different preset parameters, such as forward driving voltage, illumination, etc. Whereas binning is a sorting function, it is not a correction process. Inherent variability in the manufacturing process results always in different binning distributions according to different production lots. Traxon uses automatically binned LEDs on its products, thereby minimizing output variations within the model range.

As with all electronic devices, LED output degrades over time – a term called lumen depreciation. This also explains why it is nearly impossible to expect photometric performances of two LED products with different service life spans to be the same. The rate of LED degrade is a complicate function of many factors such as operating efficiency, duration of continuous operation, and more significantly, environmental conditions (ambient temperature for example). If allowed working under optimal operating temperature range and with good ventilation, LED devices enjoy long service lives over conventional light sources. When using/installing LED devices, care should be taken to ensure that the devices will operate within the operating conditions specified in respective product literat.

WWW.TRAXONTECHNOLOGIES.COM

© 2010 TRAXON TECHNOLOGIES ALL RIGHTS RESERVED. TRAXON™, TX CONNECT™, LUXILED™ ARE TRADEMARKS OF TRAXON TECHNOLOGIES. U.S. PATENTS, E.U. PATENTS, JAPAN PATENTS, OTHER PATENTS PENDING. SPECIFICATIONS ARE SUBJECT TO CHANGE WITHOUT NOTICE.

SOURCE SPECIFICATIONS

Source: 12 LEDs Cold White

Optics: 120°

Cover Lens: Transparent PC

Distribution: Asymmetric direct illumination

CCT: 7000 K

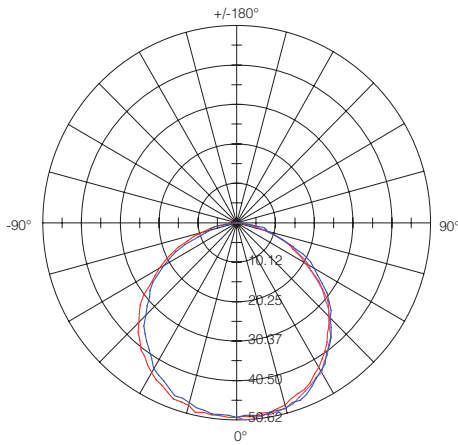
CRI: 82

CANDELA DISTRIBUTION

LIGHT OUTPUT

• Beam angle (50% I_{max}): 111.7°

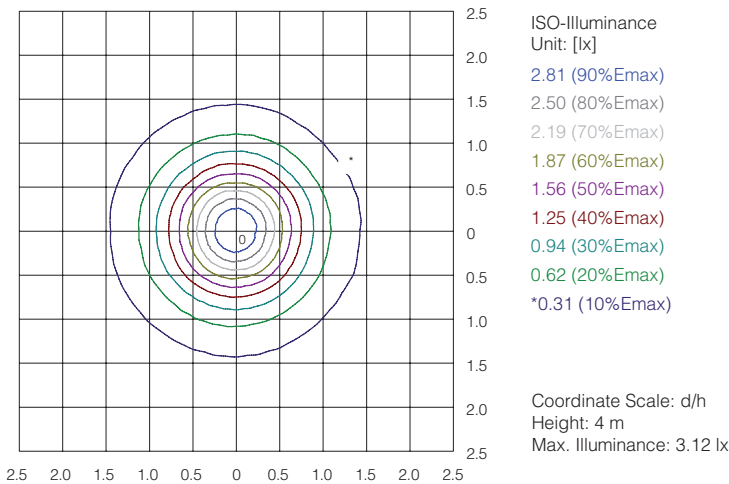
Total Output (lumens)	Power (Watts)	Efficacy (Lm/W)
144.15	3.96	36.40



ILLUMINANCE

Distance	10cm/3.9"	25cm/9.8"	50cm/19.7"	75cm/29.5"	100cm/39.4"
Lux	4994	799	200	89	50
50% I _{max} (diameter)	29cm/11.6"	74cm/29.0"	147cm/58.0"	221cm/87.1"	295cm/116.1"

ILLUMINANCE DISTRIBUTION



Photometric measurements are carried out by an independent laboratory. IES and LDT files are available for download from the Traxon website.

WWW.TRAXONTECHNOLOGIES.COM

© 2010 TRAXON TECHNOLOGIES ALL RIGHTS RESERVED. TRAXON™, TX CONNECT™, LUXILED™ ARE TRADEMARKS OF TRAXON TECHNOLOGIES. U.S. PATENTS, E.U. PATENTS, JAPAN PATENTS, OTHER PATENTS PENDING. SPECIFICATIONS ARE SUBJECT TO CHANGE WITHOUT NOTICE.

SOURCE SPECIFICATIONS

Source: 12 LEDs Warm White

Optics: 120°

Cover Lens: Transparent PC

Distribution: Asymmetric direct illumination

CCT: 3500 K

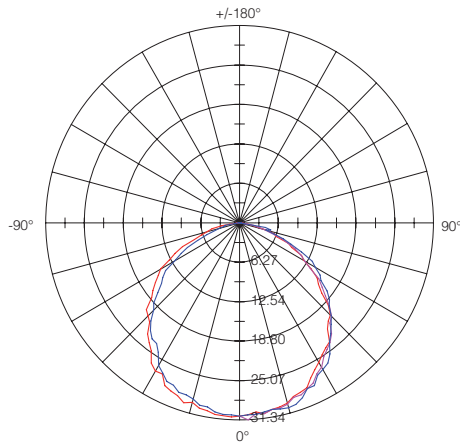
CRI: 72.7

CANDELA DISTRIBUTION

LIGHT OUTPUT

• Beam angle (50% I_{max}): 110.7°

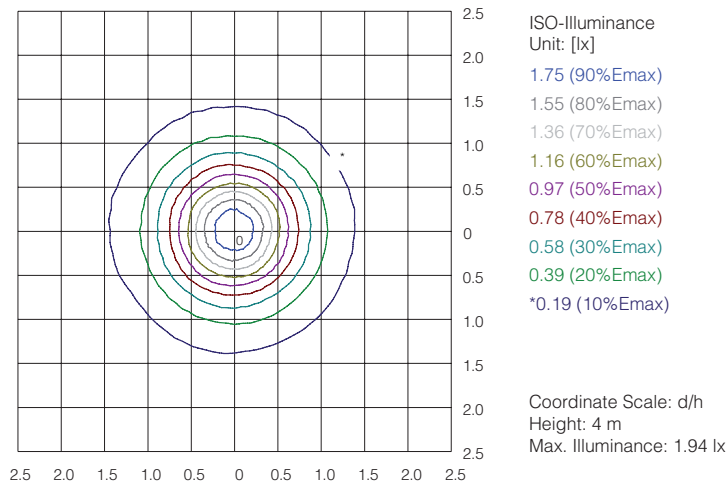
Total Output (lumens)	Power (Watts)	Efficacy (Lm/W)
85.25	3.45	24.71



ILLUMINANCE

Distance	10cm/3.9"	25cm/9.8"	50cm/19.7"	75cm/29.5"	100cm/39.4"
Lux	3077	492	123	55	31
50% I _{max} (diameter)	29cm/11.4"	72cm/28.5"	145cm/60"	217cm/85.4"	289cm/113.9"

ILLUMINANCE DISTRIBUTION



Photometric measurements are carried out by an independent laboratory. IES and LDT files are available for download from the Traxon website.

WWW.TRAXONTECHNOLOGIES.COM

© 2010 TRAXON TECHNOLOGIES ALL RIGHTS RESERVED. TRAXON™, TX CONNECT™, LUXILED™ ARE TRADEMARKS OF TRAXON TECHNOLOGIES. U.S. PATENTS, E.U. PATENTS, JAPAN PATENTS, OTHER PATENTS PENDING. SPECIFICATIONS ARE SUBJECT TO CHANGE WITHOUT NOTICE.

SOURCE SPECIFICATIONS

Source: 24 LEDs Dynamic White (12 WW, 12 CW)

Optics: 120°

Cover Lens: Transparent PC

Distribution: Asymmetric direct illumination

CCT: 3500 - 7000 K

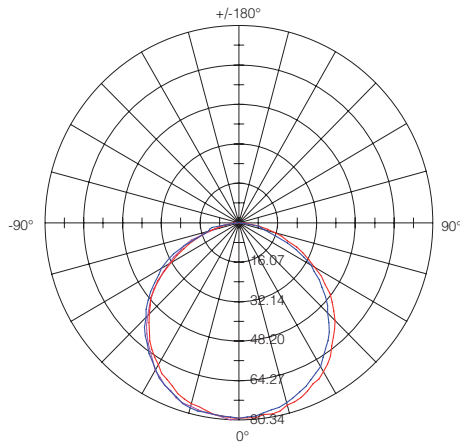
CRI: 79.2

CANDELA DISTRIBUTION

LIGHT OUTPUT

• Beam angle (50% I_{max}): 111°

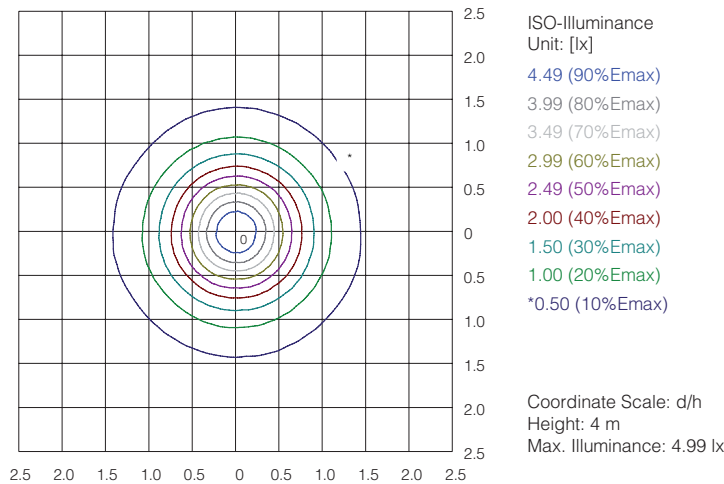
Total Output (lumens)	Power (Watts)	Efficacy (Lm/W)
225.01	7.15	31.47



ILLUMINANCE

Distance	10cm/3.9"	25cm/9.8"	50cm/19.7"	75cm/29.5"	100cm/39.4"	• Measured on: DW
Lux	7960	1274	318	142	80	
50% I _{max} (diameter)	29cm/11.5"	73cm/28.6"	146cm/57.3"	218cm/85.9"	291cm/114.6"	

ILLUMINANCE DISTRIBUTION



Photometric measurements are carried out by an independent laboratory. IES and LDT files are available for download from the Traxon website.

WWW.TRAXONTECHNOLOGIES.COM

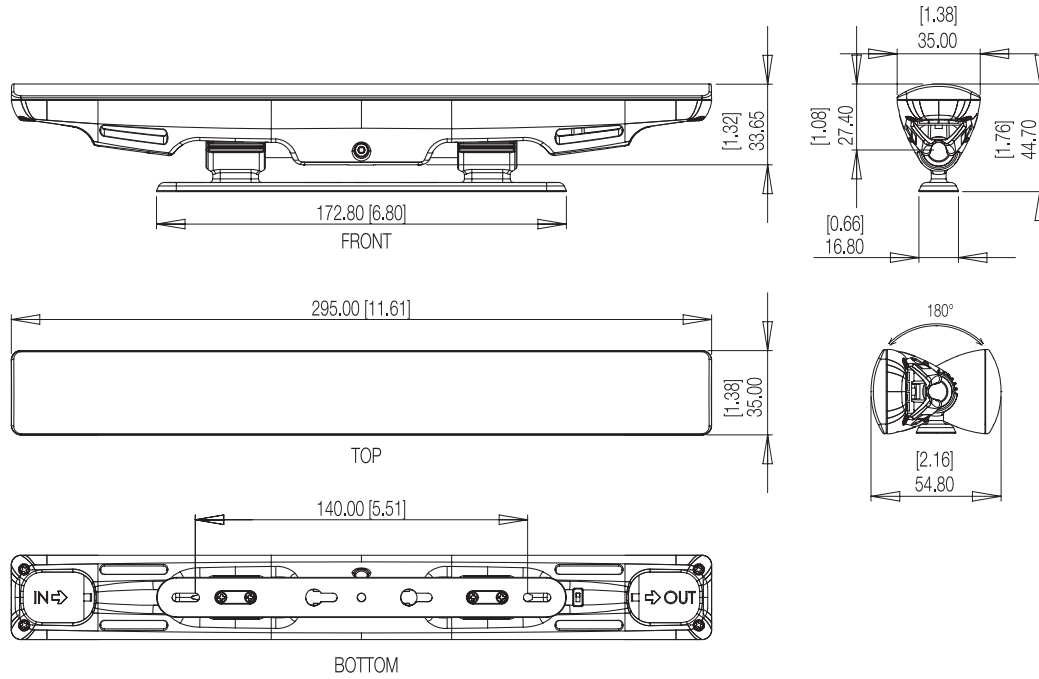
© 2010 TRAXON TECHNOLOGIES ALL RIGHTS RESERVED. TRAXON™, TX CONNECT™, LUXILED™ ARE TRADEMARKS OF TRAXON TECHNOLOGIES. U.S. PATENTS, E.U. PATENTS, JAPAN PATENTS, OTHER PATENTS PENDING. SPECIFICATIONS ARE SUBJECT TO CHANGE WITHOUT NOTICE.

traxon

1PXL Cove Light XR CW/WW/DW

Dimensions

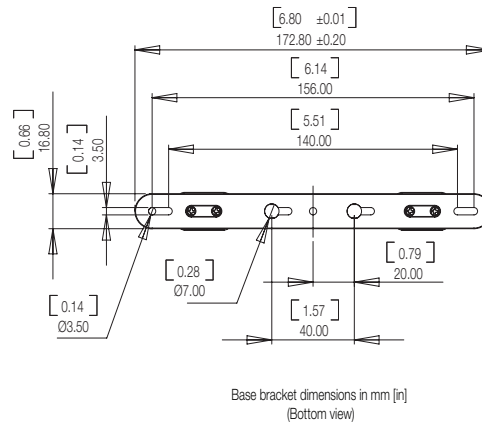
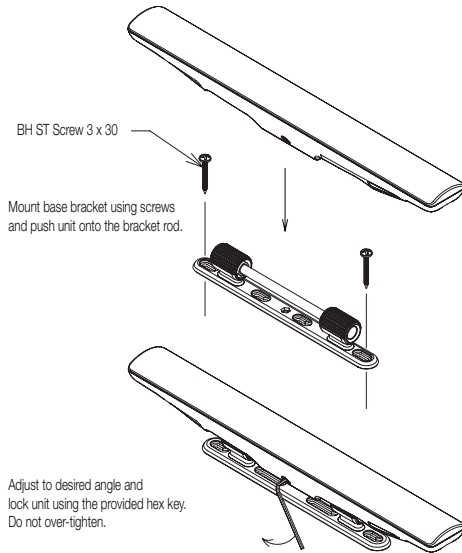
TECHNICAL DRAWING



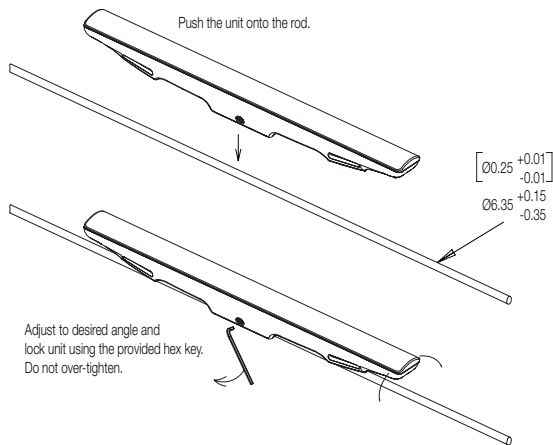
Dimensions in mm [in]

MOUNTING

Mounting with Base Bracket



Alternative Mounting Method



Mounting Accessories



2 X BH ST 3x30 Screw



1PXL Cove Light XR CW/WW/DW

System Diagram

SYSTEM DIAGRAM

18 1PXL STRIP CW/WW CAN BE DAISY CHAINED PER LED ENGINE SMART 100W INDOOR.

9 1PXL STRIP DW CAN BE DAISY CHAINED PER LED ENGINE SMART 100W INDOOR.

170 1PXL STRIP CAN BE DAISY CHAINED PER CONTROLLER OUTPUT (512 DMX CHANNELS).

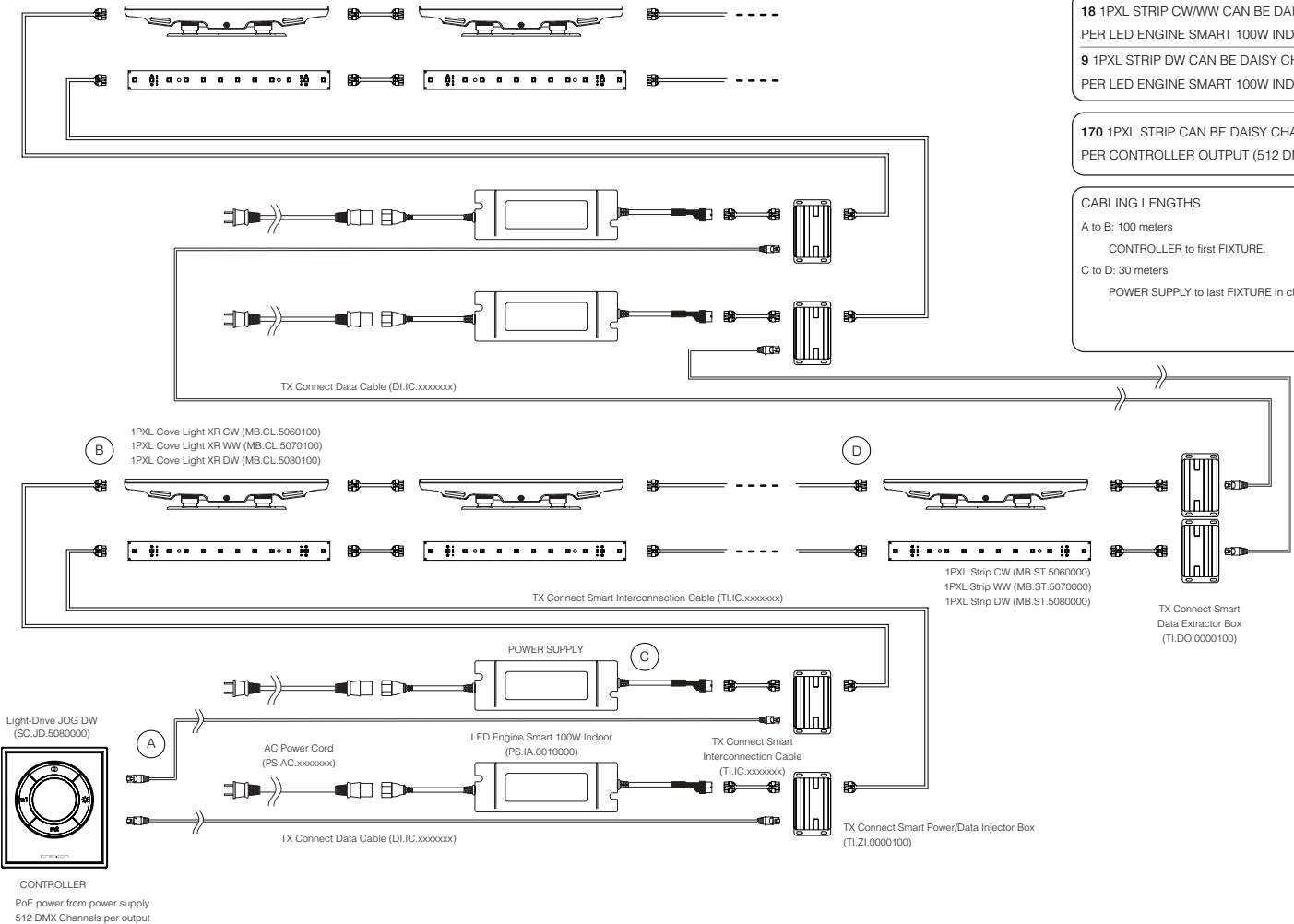
CABLING LENGTHS

A to B: 100 meters

CONTROLLER to first FIXTURE.

C to D: 30 meters

POWER SUPPLY to last FIXTURE in chain.





1PXL Cove Light XR CW/WW/DW

Accessories

STANDARD ACCESSORIES (included in delivery)

Model No.	Description
TI.IC.0004000	TX CONNECT Smart Indoor Interconnection Cable, 4cm/1.57"
	1x Cove Light Mounting Kit (2x ST Screws, 1x 3mm Hex Key)

TX CONTROL

Model No.	Description
CS.MA.5000000	Micro Server
SC.JD.5080000	Light-Drive JOG Dynamic White (Black)
SC.JD.5080100	Light-Drive JOG Dynamic White (White)

TX CONNECT

Model No.	Description
TI.ZI.0000100	TX CONNECT Smart Power/Data Injector Box
TI.DO.0000100	TX CONNECT Smart Data Extractor Box
TI.PI.0000100	TX CONNECT Smart Power Injector Cable
TI.EC.0050000	TX CONNECT Smart Indoor Extension Cable, 0.5m/1.64ft
TI.EC.0100000	TX CONNECT Smart Indoor Extension Cable, 1m/3.28ft
TI.EC.0300000	TX CONNECT Smart Indoor Extension Cable, 3m/9.84ft
TI.EC.0500000	TX CONNECT Smart Indoor Extension Cable, 5m/16.4ft
TI.EC.1000000	TX CONNECT Smart Indoor Extension Cable, 10m/32.8ft
DI.IC.0100000	TX CONNECT Data Cable, 1m/3.28ft

TX POWER

Model No.	Description
PS.IA.0010000	LED Engine Smart 100W Indoor
PS.AC.0000100	AC Power Cord, 2m/6.6ft (EU)
PS.AC.0000200	AC Power Cord, 2m/6.6ft (US)
PS.AC.0000300	AC Power Cord, 2m/6.6ft (UK)
PS.AC.0000400	AC Power Cord, 2m/6.6ft (AU)
PS.AC.0000500	AC Power Cord, 2m/6.6ft (JP)