



Date: _____ Quantity: _____

Company: _____

Project: _____



Wall Washer Shield AC XB RGB

The Wall Washer Shield AC XB RGB is an IP66-rated, AC line input, lighting fixture equipped with high-brightness LEDs that generates single color or color changing light for a rich wall-washing effect. This fixture is suitable for indoor or outdoor use and equipped with a host of customization options including LED type, LED color, beam angles, and lenses.



Product Specifications

	XB-18	XB-36
Light Source	18 LEDs	36 LEDs
Color Range	16.7 million additive RGB colors	
Color Resolution	3 x 8-bit continuously variable intensity output range	
Color Options	RGB	
Beam Angle	10°, 20°, 30°, 40°, 40°x10°	
Luminous Flux¹	573 lm (30° optics)	1114 lm (30° optics)
Efficacy²	20.5 lm/W (30° optics)	21 lm/W (30° optics)
Lumen Maintenance	L70 @25°C - 80,000hrs	
Cover Lens	Clear tempered glass	
Housing	Aluminium die cast	
Adjustment Options	180° (horizontal), 135° (vertical)	
Dimensions (L x W x H)	222mm x 255mm x 128mm 8.74" x 10" x 5"	356mm x 255mm x 128mm 14" x 10" x 5"
Weight	3.3kg/7.3lbs	4.3kg/9.5lbs
Regulatory Listing & Safety Approval	CE, cETLus	
Operating Temperature³	-40°C to +60°C / -40°F to +140°F	
Storage Temperature	-40°C to +70°C / -40°F to +158°F	
Environment	Outdoor (IP66)	
Humidity	85%, non-condensing	
Maximum Wind Power	Below 60m/s	

Electrical Specifications

Input Voltage	100-240V AC 50/60Hz	
Power Consumption	28W max.	53W max.
LED Current	350mA DC	

System Specifications

Power/Data Interface	AC line; DMX512 on RJ45
Control	DMX512
Power Supply	Built-in

1. Typical luminous flux value. Actual flux will vary according to optics used.
2. Efficacy based on typical luminous value and maximum power consumption.
3. Startup temperature: -20°C/-4°F.

LED CHARACTERISTICS Because LEDs are semiconductor devices, their performances are subject to inherent variability commonly found in semiconductor industry. To improve consistency in performance across the same product, LED manufacturers "sort" LEDs into bins according to different preset parameters, such as forward driving voltage, illumination, etc. Whereas binning is a sorting function, it is not a correction process. Inherent variability in the manufacturing process results always in different binning distributions according to different production lots. Traxon uses automatically binned LEDs on its products, thereby minimizing output variations within the model range.

As with all electronic devices, LED output degrades over time – a term called lumen depreciation. This also explains why it is nearly impossible to expect photometric performances of two LED products with different service life spans to be the same. The rate of LED degrade is a complicate function of many factors such as operating efficiency, duration of continuous operation, and more significantly, environmental conditions (ambient temperature for example). If allowed working under optimal operating temperature range and with good ventilation, LED devices enjoy long service lives over conventional light sources. When using/installing LED devices, care should be taken to ensure that the devices will operate within the operating conditions specified in respective product literature.

Lumen measurement complies with LM-79-08 standard.
Lumen maintenance is calculated based on LM-80 compliant measurement.

www.traxontechnologies.com

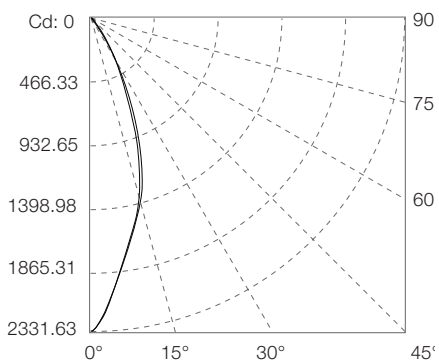
©2015 TRAXON TECHNOLOGIES - AN OSRAM BUSINESS. ALL RIGHTS RESERVED. TRAXON™, TX CONNECT®, ARE TRADEMARKS OF TRAXON TECHNOLOGIES. U.S. PATENTS, E.U. PATENTS, JAPAN PATENTS, OTHER PATENTS PENDING. SPECIFICATIONS ARE SUBJECT TO CHANGE WITHOUT NOTICE.



Wall Washer Shield AC XB RGB Photometrics

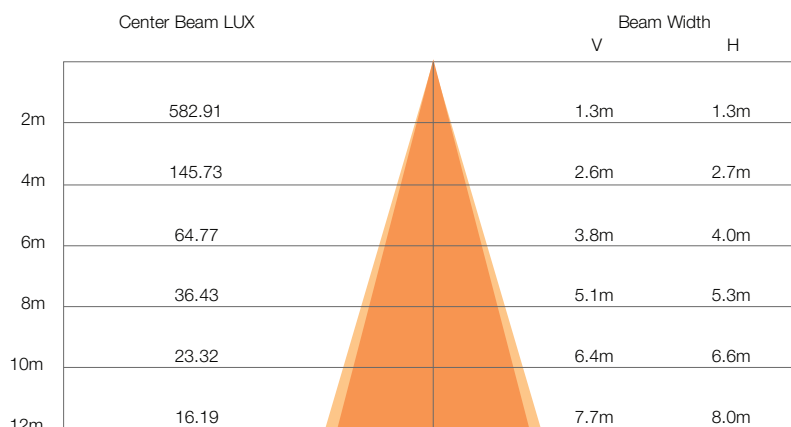
Candela Distribution

Light Output



Color	Luminous Flux (lm)
White	1113.8
Red	316.16
Green	722.73
Blue	111.07

Illuminance at a Distance



For fc divide by 10.7

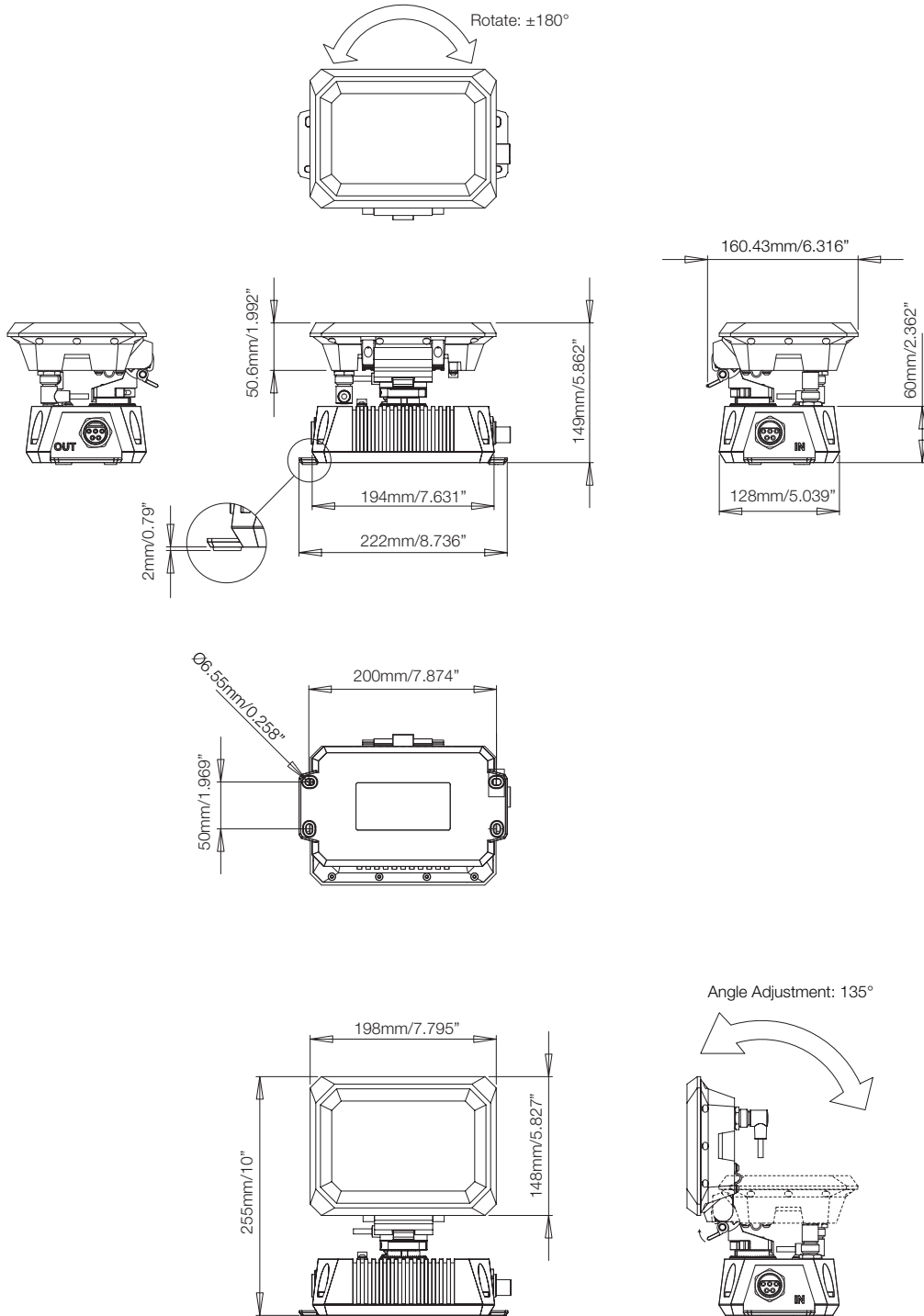
● Vert. Spread: 35.6°
● Horiz. Spread: 36.7°
 For feet multiplv by 3.28



Wall Washer Shield AC XB RGB

Dimensions

Wall Washer Shield AC XB-18



www.traxontechnologies.com

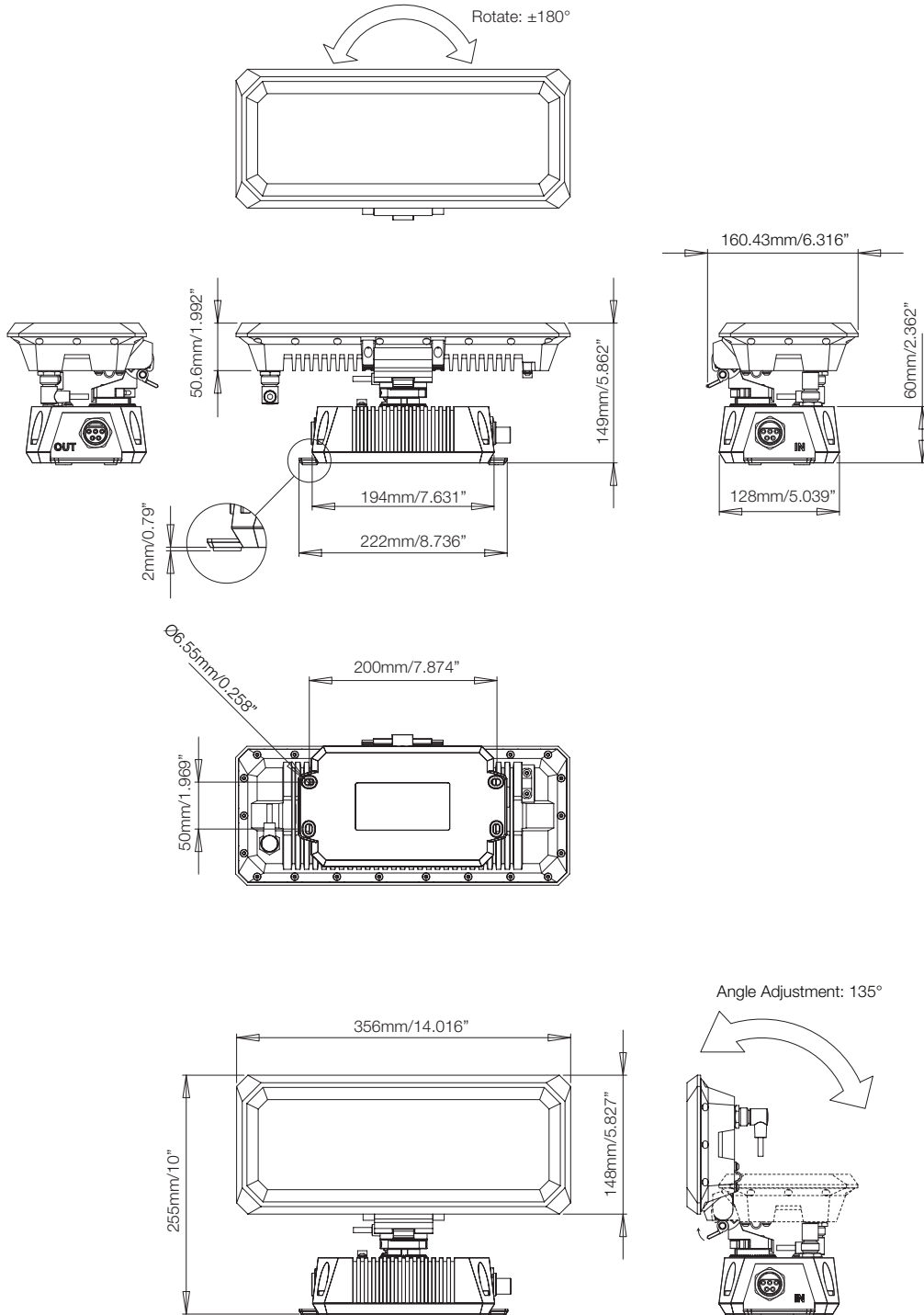
©2015 TRAXON TECHNOLOGIES - AN OSRAM BUSINESS. ALL RIGHTS RESERVED. TRAXON™, TX CONNECT®, ARE TRADEMARKS OF TRAXON TECHNOLOGIES. U.S. PATENTS, E.U. PATENTS, JAPAN PATENTS, OTHER PATENTS PENDING. SPECIFICATIONS ARE SUBJECT TO CHANGE WITHOUT NOTICE.



Wall Washer Shield AC XB RGB

Dimensions

Wall Washer Shield AC XB-36



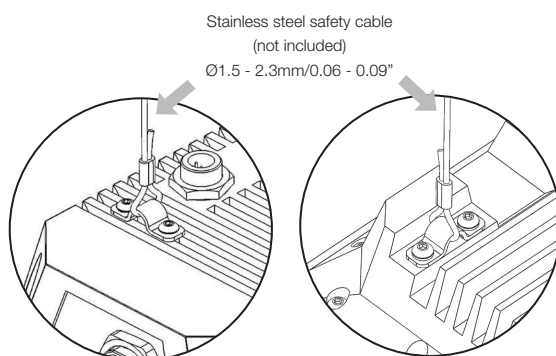
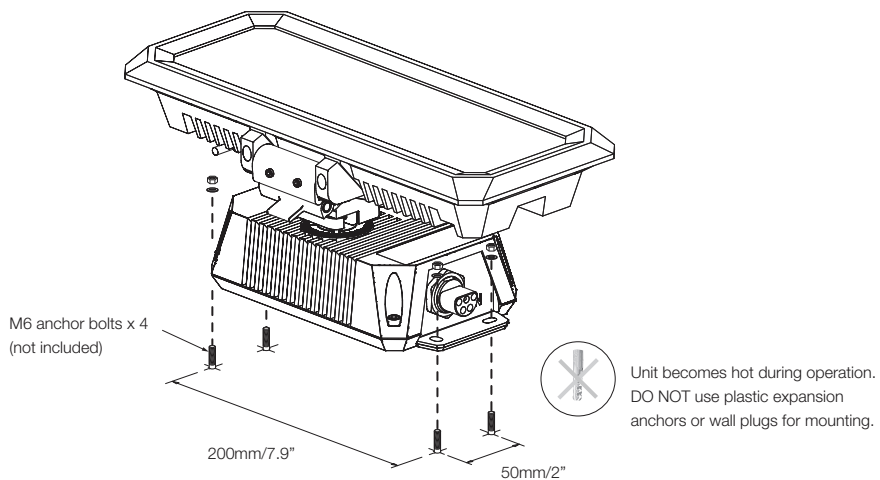
www.traxontechnologies.com

©2015 TRAXON TECHNOLOGIES - AN OSRAM BUSINESS. ALL RIGHTS RESERVED. TRAXON™, TX CONNECT®, ARE TRADEMARKS OF TRAXON TECHNOLOGIES. U.S. PATENTS, E.U. PATENTS, JAPAN PATENTS, OTHER PATENTS PENDING. SPECIFICATIONS ARE SUBJECT TO CHANGE WITHOUT NOTICE.



Wall Washer Shield AC XB RGB

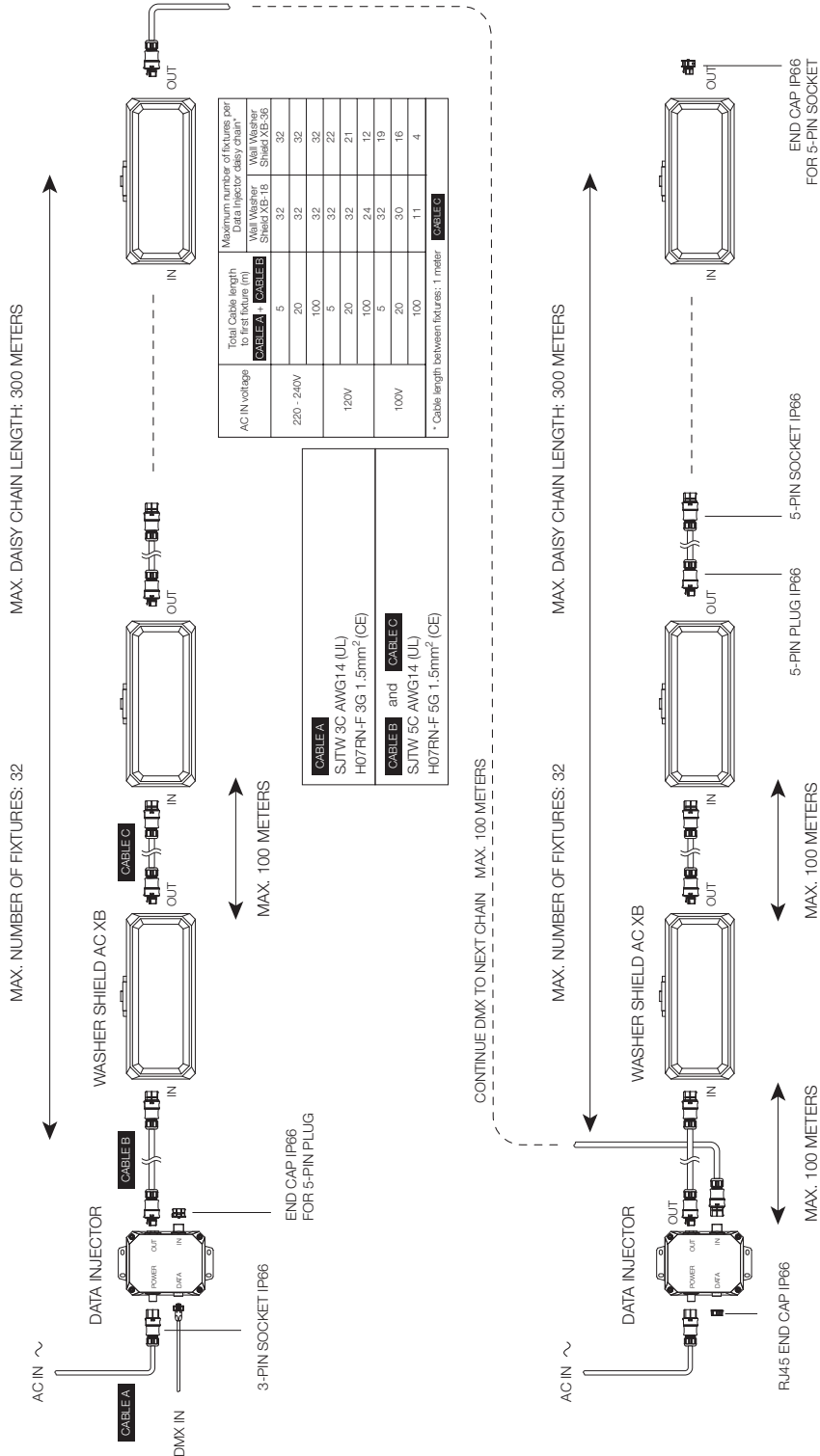
Mounting





Wall Washer Shield AC XB RGB

System Diagram



www.traxontechnologies.com

©2015 TRAXON TECHNOLOGIES - AN OSRAM BUSINESS. ALL RIGHTS RESERVED. TRAXON™, TX CONNECT®, ARE TRADEMARKS OF TRAXON TECHNOLOGIES. U.S. PATENTS, E.U. PATENTS, JAPAN PATENTS, OTHER PATENTS PENDING. SPECIFICATIONS ARE SUBJECT TO CHANGE WITHOUT NOTICE.



Wall Washer Shield AC XB RGB

Ordering

Ordering

Fixtures

Model No.	Description	Item Code
XB.W1.531A100	Wall Washer Shield AC XB-18 RGB 10deg	AA562300055
XB.W1.531B100	Wall Washer Shield AC XB-18 RGB 20deg	AA562310055
XB.W1.531C100	Wall Washer Shield AC XB-18 RGB 30deg	AA562320055
XB.W1.531D100	Wall Washer Shield AC XB-18 RGB 40deg	AA562350055
XB.W1.531E100	Wall Washer Shield AC XB-18 RGB 40x10deg	AA562330055
XB.W2.531A100	Wall Washer Shield AC XB-36 RGB 10deg	AA562900055
XB.W2.531B100	Wall Washer Shield AC XB-36 RGB 20deg	AA562910055
XB.W2.531C100	Wall Washer Shield AC XB-36 RGB 30deg	AA562920155
XB.W2.531D100	Wall Washer Shield AC XB-36 RGB 40deg	AA562950155
XB.W2.531E100	Wall Washer Shield AC XB-36 RGB 40x10deg	AA562930155

Standard Accessories (Included in delivery)

Model No.	Description	Item Code
N/A	TX CONNECT XB CMX Interconnection Cable, 300mm/11.8" (Base to head connection cable)	N/A

TX CONTROL

Model No.	Description	Item Code
EN.BU.0000001	Butler S2	AA624080072

TX CONNECT

Model No.	Description	Item Code
XB.AC.2302000	5-pin field Installable AC Connector Plug IP66	AA438580235
XB.AC.2303000	5-pin field Installable AC Connector Socket IP66	AA438570235
XB.AC.2304000	5-pin Connector Socket End Cap IP66	AA508870335
XB.AC.2308000	5-pin Connector Plug End Cap	AA508890135
DE.AC.0100000	RJ45 Male Connector IP67 Housing	AA556100155
XB.AC.2400000	Standalone base for Wall Washer Unit	AA612850055
XE.ID.9999910	AC XB Interconnection Cable, 5-wire, CE (100m/328ft reel)	AA556610055
XE.ID.9999911	AC XB Interconnection Cable, 5-wire, UL (100m/328ft reel)	AA569430155

TX POWER

Model No.	Description	Item Code
XB.AC.2300000	XB Shield AC Data Injector	AA438600055
XE.IF.9999910	AC XB Power Cable, 3-wire, CE (100m/328ft reel)	AA556620055
XE.IF.9999911	AC XB Power Cable, 3-wire, UL (100m/328ft reel)	AA556630155
XB.AC.2306000	3-pin Field Installable Connector Socket	AA508880235



AN OSRAM BUSINESS

©2015 TRAXON TECHNOLOGIES - AN OSRAM BUSINESS. ALL RIGHTS RESERVED. TRAXON™, TX CONNECT®, ARE TRADEMARKS OF TRAXON TECHNOLOGIES. U.S. PATENTS, E.U. PATENTS, JAPAN PATENTS, OTHER PATENTS PENDING. SPECIFICATIONS ARE SUBJECT TO CHANGE WITHOUT NOTICE.