

PARATHOM PRO PAR 16 advanced

Dimmable LED reflector lamps PAR 16 with retrofit pin base



- Spotlighting for accents
- Display cabinets and shop windows
- Retail outlets and exhibition rooms
- Spotlighting heat-sensitive objects such as food, plants, etc.
- Outdoor use in outdoor luminaires only (minimum IP65)
- Directional light sources
- Hospitality
- Shops

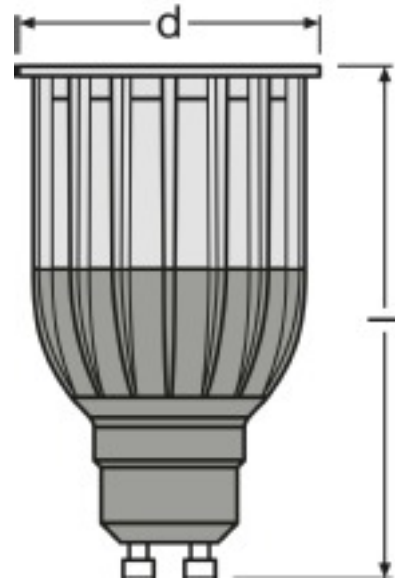
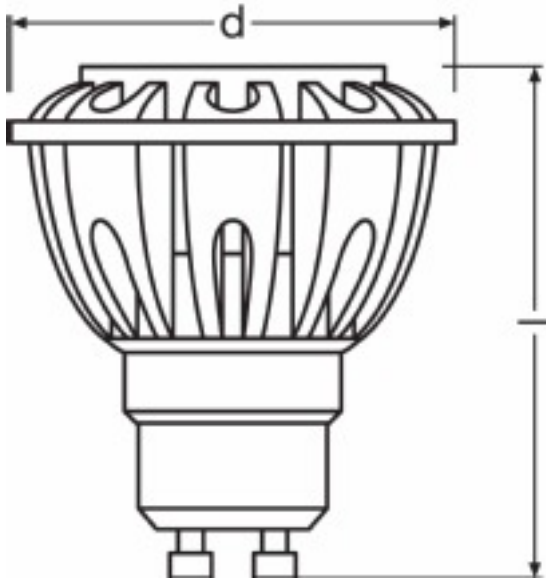
Product benefits

- Ideal for economical spotlighting
- Alternative to line-voltage halogen lamps
- Very low energy consumption
- Extremely long life
- No UV and near-IR radiation in the light beam
- Robust against vibrations
- Efficient generation of white light

Product features

- Professional LED lamps for line voltage
- Dimmable
- High color consistency; SDCM: <5 (PARATHOM PRO)
- Base: E27
- Base: GU10
- Mercury-free lamps
- Lifetime: up to 40,000 h





Product line drawing with letters

PARATHOM PRO PAR 16 35 35° ADV 5.2 W/930 GU10 |
 PARATHOM PRO PAR 16 35 35° ADV 5.2 W/927 GU10 |
 PARATHOM PRO PAR 16 35 25° ADV 5.2 W/927 GU10 |
 PARATHOM PRO PAR 16 35 25° ADV 5.2 W/930 GU10 |
 PARATHOM PRO PAR 16 35 25° ADV 5.2 W/840 GU10 |
 PARATHOM PRO PAR 16 35 35° ADV 5.2 W/840 GU10

Product line drawing with letters

PARATHOM PRO PAR 16 50 25° ADV 9 W/840 GU10 |
 PARATHOM PRO PAR 16 50 25° ADV 9 W/927 GU10 |
 PARATHOM PRO PAR 16 50 25° ADV 9 W/930 GU10 |
 PARATHOM PRO PAR 16 50 35° ADV 9 W/927 GU10 |
 PARATHOM PRO PAR 16 75 35° ADV 10.5 W/827 GU10 |
 PARATHOM PRO PAR 16 75 35° ADV 10.5 W/830 GU10 |
 PARATHOM PRO PAR 16 75 25° ADV 10.5 W/827 GU10 |
 PARATHOM PRO PAR 16 75 25° ADV 10.5 W/765 GU10 |
 PARATHOM PRO PAR 16 75 35° ADV 10.5 W/765 GU10 |
 PARATHOM PRO PAR 16 75 25° ADV 10.5 W/830 GU10

Technical data

Product description	Base (standard designation)	Nominal wattage	Nominal voltage	Claimed equiv. conventional lamp power	Beam angle	Nominal lamp life time
PARATHOM PRO PAR 16 35 35° ADV 5.2 W/930 GU10 ¹⁾	GU10	5.2 W	230 V	35 W	35 °	30000 h
PARATHOM PRO PAR 16 35 35° ADV 5.2 W/927 GU10 ¹⁾	GU10	5.2 W	230 V	35 W	35 °	30000 h
PARATHOM PRO PAR 16 35 25° ADV 5.2 W/927 GU10 ¹⁾	GU10	5.2 W	230 V		25 °	30000 h
PARATHOM PRO PAR 16 35 25° ADV 5.2 W/930 GU10 ¹⁾	GU10	5.2 W	230 V		25 °	30000 h
PARATHOM PRO PAR 16 35 25° ADV 5.2 W/840 GU10 ¹⁾	GU10	5.2 W	230 V		25 °	30000 h
PARATHOM PRO PAR 16 35 35° ADV 5.2 W/840 GU10 ¹⁾	GU10	5.2 W	230 V	35 W	35 °	30000 h
PARATHOM PRO PAR 16 50 25° ADV 9 W/840 GU10 ¹⁾	GU10	9 W	230 V	50 W	25 °	30000 h
PARATHOM PRO PAR 16 50 25° ADV 9 W/927 GU10 ¹⁾	GU10	9 W	230 V	50 W	25 °	30000 h
PARATHOM PRO PAR 16 50 25° ADV 9 W/930 GU10 ¹⁾	GU10	9 W	230 V	50 W	25 °	30000 h
PARATHOM PRO PAR 16 50 35° ADV 9 W/927 GU10 ¹⁾	GU10	9 W	230 V	50 W	35 °	30000 h

PARATHOM PRO PAR 16 50 35° ADV 9 W/840 GU10 ¹⁾	GU10	9 W	230 V	50 W	35 °	30000 h
PARATHOM PRO PAR 16 50 35° ADV 9 W/930 GU10 ¹⁾	GU10	9 W	230 V	50 W	35 °	30000 h
PARATHOM PRO PAR 16 75 35° ADV 10.5 W/827 GU10 ¹⁾	GU10	10.5 W	230 V	75 W	35 °	40000 h
PARATHOM PRO PAR 16 75 35° ADV 10.5 W/830 GU10 ¹⁾	GU10	10.5 W	230 V	75 W	35 °	40000 h
PARATHOM PRO PAR 16 75 25° ADV 10.5 W/827 GU10 ¹⁾	GU10	10.5 W	230 V	75 W	25 °	40000 h
PARATHOM PRO PAR 16 75 25° ADV 10.5 W/765 GU10 ¹⁾	GU10	10.5 W	230 V	75 W	25 °	40000 h
PARATHOM PRO PAR 16 75 35° ADV 10.5 W/765 GU10 ¹⁾	GU10	10.5 W	230 V	75 W	35 °	40000 h
PARATHOM PRO PAR 16 75 25° ADV 10.5 W/830 GU10 ¹⁾	GU10	10.5 W	230 V	75 W	25 °	40000 h

Product description	Luminous intensity	Nominal luminous flux	Rated luminous flux	Color temperature	Color rendering index Ra	Starting time
PARATHOM PRO PAR 16 35 35° ADV 5.2 W/930 GU10 ¹⁾	600 cd	220 lm	220 lm	3000 K	90	0.0 s
PARATHOM PRO PAR 16 35 35° ADV 5.2 W/927 GU10 ¹⁾	500 cd	190 lm	190 lm	2700 K	90	0.0 s

PARATHOM PRO PAR 16 35 25° ADV 5.2 W/927 GU10 ¹⁾	800 cd	190 lm	190 lm	2700 K	90	0.0 s
PARATHOM PRO PAR 16 35 25° ADV 5.2 W/930 GU10 ¹⁾	850 cd	220 lm	220 lm	3000 K	90	0.0 s
PARATHOM PRO PAR 16 35 25° ADV 5.2 W/840 GU10 ¹⁾	1100 cd	310 lm	310 lm	4000 K	80	0.0 s
PARATHOM PRO PAR 16 35 35° ADV 5.2 W/840 GU10 ¹⁾	800 cd	310 lm	310 lm	4000 K	80	0.0 s
PARATHOM PRO PAR 16 50 25° ADV 9 W/840 GU10 ¹⁾	1800 cd	470 lm	470 lm	4000 K		0.0 s
PARATHOM PRO PAR 16 50 25° ADV 9 W/927 GU10 ¹⁾	1200 cd	315 lm	315 lm	2700 K		0.0 s
PARATHOM PRO PAR 16 50 25° ADV 9 W/930 GU10 ¹⁾	1300 cd	350 lm	350 lm	3000 K		0.0 s
PARATHOM PRO PAR 16 50 35° ADV 9 W/927 GU10 ¹⁾	760 cd	315 lm	315 lm	2700 K		0.0 s
PARATHOM PRO PAR 16 50 35° ADV 9 W/840 GU10 ¹⁾	1040 cd	470 lm	470 lm	4000 K		0.0 s
PARATHOM PRO PAR 16 50 35° ADV 9 W/930 GU10 ¹⁾		350 lm	350 lm	3000 K		0.0 s
PARATHOM PRO PAR 16 75 35° ADV 10.5 W/827 GU10 ¹⁾	1100 cd	450 lm	450 lm	2700 K		0.0 s
PARATHOM PRO PAR 16 75 35° ADV 10.5 W/830 GU10 ¹⁾	1200 cd	500 lm	500 lm	3000 K		0.0 s

PARATHOM PRO PAR 16 75 25° ADV 10.5 W/827 GU10 1)	1700 cd	450 lm	450 lm	2700 K	0.0 s
PARATHOM PRO PAR 16 75 25° ADV 10.5 W/765 GU10 1)	2500 cd	620 lm	620 lm	6500 K	0.0 s
PARATHOM PRO PAR 16 75 35° ADV 10.5 W/765 GU10 1)	1500 cd	620 lm	620 lm	6500 K	0.0 s
PARATHOM PRO PAR 16 75 25° ADV 10.5 W/830 GU10 1)	1800 cd	500 lm	500 lm	3000 K	0.0 s

Product description	Warm-up time (60 %)	Number of switching cycles	Lamp mercury content	Rated power factor λ	Overall length	Diameter
PARATHOM PRO PAR 16 35 35° ADV 5.2 W/930 GU10 ¹⁾	0 s	1000000	0.0 mg	0.90	58.0 mm	50.0 mm
PARATHOM PRO PAR 16 35 35° ADV 5.2 W/927 GU10 ¹⁾	0 s	1000000	0.0 mg	0.90	58.0 mm	50.0 mm
PARATHOM PRO PAR 16 35 25° ADV 5.2 W/927 GU10 ¹⁾	0 s		0.0 mg		58.0 mm	50.0 mm
PARATHOM PRO PAR 16 35 25° ADV 5.2 W/930 GU10 ¹⁾	0 s	1000000	0.0 mg	0.90	58.0 mm	50.0 mm
PARATHOM PRO PAR 16 35 25° ADV 5.2 W/840 GU10 ¹⁾	0 s	1000000	0.0 mg	0.90	58.0 mm	50.0 mm
PARATHOM PRO PAR 16 35 35° ADV 5.2 W/840 GU10 ¹⁾	0 s	1000000	0.0 mg	0.90	58.0 mm	50.0 mm

PARATHOM PRO PAR 16 50 25° ADV 9 W/840 GU10 ¹⁾	0 s	1000000	0.0 mg	0.94	85.0 mm	50.0 mm
PARATHOM PRO PAR 16 50 25° ADV 9 W/927 GU10 ¹⁾	0 s	1000000	0.0 mg	0.94	85.0 mm	50.0 mm
PARATHOM PRO PAR 16 50 25° ADV 9 W/930 GU10 ¹⁾	0 s	1000000	0.0 mg	0.94	85.0 mm	50.0 mm
PARATHOM PRO PAR 16 50 35° ADV 9 W/927 GU10 ¹⁾	0 s	1000000	0.0 mg	0.94	85.0 mm	50.0 mm
PARATHOM PRO PAR 16 50 35° ADV 9 W/840 GU10 ¹⁾	0 s	1000000	0.0 mg	0.94	85.0 mm	50.0 mm
PARATHOM PRO PAR 16 50 35° ADV 9 W/930 GU10 ¹⁾	0 s	1000000	0.0 mg	0.94	85.0 mm	50.0 mm
PARATHOM PRO PAR 16 75 35° ADV 10.5 W/827 GU10 ¹⁾	0 s	1000000	0.0 mg	0.90	86.0 mm	50.0 mm
PARATHOM PRO PAR 16 75 35° ADV 10.5 W/830 GU10 ¹⁾	0 s	1000000	0.0 mg	0.90	86.0 mm	50.0 mm
PARATHOM PRO PAR 16 75 25° ADV 10.5 W/827 GU10 ¹⁾	0 s	1000000	0.0 mg	0.90	86.0 mm	50.0 mm
PARATHOM PRO PAR 16 75 25° ADV 10.5 W/765 GU10 ¹⁾	0 s	1000000	0.0 mg	0.90	86.0 mm	50.0 mm
PARATHOM PRO PAR 16 75 35° ADV 10.5 W/765 GU10 ¹⁾	0 s	1000000	0.0 mg	0.90	86.0 mm	50.0 mm

PARATHOM PRO PAR 16 75 25° ADV 10.5 W/830 GU10 1)	0 s	1000000	0.0 mg	0.90	86.0 mm	50.0 mm
---	-----	---------	--------	------	---------	---------

Product description	Dimmable	ILCOS	Lumen main.fact.at end of nom.life time	Mercury-free	Light color as per EN 12464-1	New article
PARATHOM PRO PAR 16 35 35° ADV 5.2 W/930 GU10 1)	Yes	DRPAR-5,2-230-GU10- 50/35	0.70	Yes	Warm White	
PARATHOM PRO PAR 16 35 35° ADV 5.2 W/927 GU10 1)	Yes	DRPAR-5,2-230-GU10- 50/35	0.70	Yes	Warm White	
PARATHOM PRO PAR 16 35 25° ADV 5.2 W/927 GU10 1)	Yes	DRPAR-5,2-230-GU10- 50/25		Yes	Warm White	
PARATHOM PRO PAR 16 35 25° ADV 5.2 W/930 GU10 1)	Yes	DRPAR-5,2-230-GU10- 50/25	0.70	Yes	Warm White	
PARATHOM PRO PAR 16 35 25° ADV 5.2 W/840 GU10 1)	Yes	DRPAR-5,2-230-GU10- 50/25	0.70	Yes	Cool White	
PARATHOM PRO PAR 16 35 35° ADV 5.2 W/840 GU10 1)	Yes	DRPAR-5,2-230-GU10- 50/35	0.70	Yes	Cool White	
PARATHOM PRO PAR 16 50 25° ADV 9 W/840 GU10 1)	Yes	DRPAR-9-220/240-GU10- 50/25	0.70	Yes	Cool White	NEW
PARATHOM PRO PAR 16 50 25° ADV 9 W/927 GU10 1)	Yes	DRPAR-9-220/240-GU10- 50/25	0.70	Yes	Warm White	NEW
PARATHOM PRO PAR 16 50 25° ADV 9 W/930 GU10 1)	Yes	DRPAR-9-220/240-GU10- 50/25	0.70	Yes	Warm White	NEW
PARATHOM PRO PAR 16 50 35° ADV 9 W/927 GU10 1)	Yes	DRPAR-9-220/240-GU10- 50/35	0.70	Yes	Warm White	NEW

PARATHOM PRO PAR 16 50 35° ADV 9 W/840 GU10 ¹⁾	Yes	DRPAR-9-220/240-GU10- 50/35	0.70	Yes	Cool White	NEW
PARATHOM PRO PAR 16 50 35° ADV 9 W/930 GU10 ¹⁾	Yes	DRPAR-9-220/240-GU10- 50/35	0.70	Yes	Warm White	NEW
PARATHOM PRO PAR 16 75 35° ADV 10.5 W/827 GU10 ¹⁾	Yes	DRPAR-10,5-230-GU10- 50/35	0.70	Yes	Warm White	
PARATHOM PRO PAR 16 75 35° ADV 10.5 W/830 GU10 ¹⁾	Yes	DRPAR-10,5-230-GU10- 50/35	0.70	Yes	Warm White	
PARATHOM PRO PAR 16 75 25° ADV 10.5 W/827 GU10 ¹⁾	Yes	DRPAR-10,5-230-GU10- 50/25	0.70	Yes	Warm White	
PARATHOM PRO PAR 16 75 25° ADV 10.5 W/765 GU10 ¹⁾	Yes	DRPAR-10,5-230-GU10- 50/25	0.70	Yes	Daylight	
PARATHOM PRO PAR 16 75 35° ADV 10.5 W/765 GU10 ¹⁾	Yes	DRPAR-10,5-230-GU10- 50/35	0.70	Yes	Daylight	
PARATHOM PRO PAR 16 75 25° ADV 10.5 W/830 GU10 ¹⁾	Yes	DRPAR-10,5-230-GU10- 50/25	0.70	Yes	Warm White	

¹⁾ All technical parameters apply to the entire lamp/Due to the complex production process for light-emitting diodes, the typical values shown for the technical LED parameters are purely statistical values that do not necessarily match the actual technical parameters of each individual product, which can vary from the typical value

Application advice

For more detailed application information and graphics please see product datasheet.

References / Links

For dimming conformity see

▶ www.osram.com/DIM

For further products and actual information concerning LED lamps see

▶ www.osram.com/ledlamps

For Guarantee see

▶ www.osram.com/guarantee

Disclaimer

Subject to change without notice. Errors and omission excepted. Always make sure to use the most recent release.