

LEDVANCE DOWNLIGHT XL

LED downlights



- Compatible with standard suspended ceilings
- Replacement for downlight applications of compact fluorescent lamps

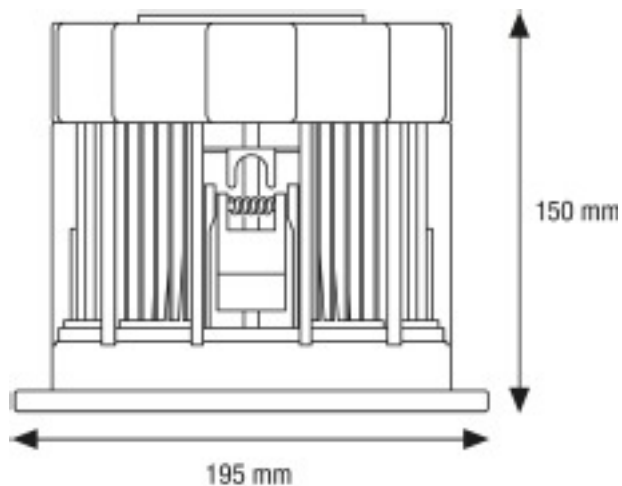
Product benefits

- Compact dimensions and excellent photometric properties
- Sustainable product with an excellent energy balance
- Elegant design
- Energy-saving recessed luminaire
- Particularly compact

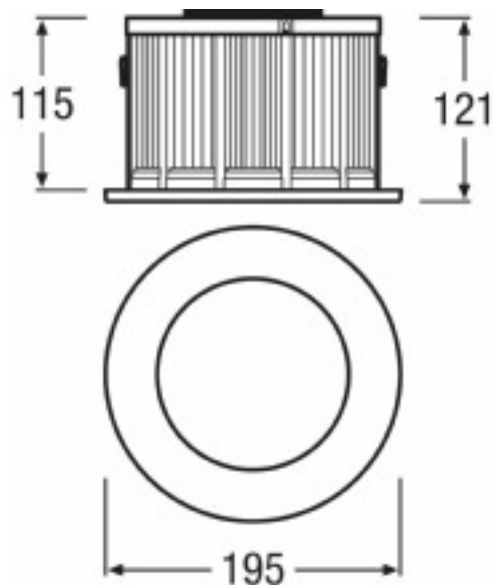
Product features

- Average lifespan: 50,000 h
- Color temperature: 3,000 K (Warm White) or 4,000 K (Neutral White)
- Direct connection to a 220...240 V AC supply
- Also available in a dimmable version
- Recessed ceiling mounting
- Ring colors in white matt or anodized aluminum
- Suitable for suspended mounting
- Casing and cover made from polyester with 22 % fiber glass
- Mounting diameter: 175 mm





Product line drawing with numbers
LDV DOWNLIGHT XL 830 L60 WT | LDV DOWNLIGHT XL 830 L100 WT | LDV DOWNLIGHT XL 840 L60 WT | LDV DOWNLIGHT XL 840 L100 WT



Product line drawing with numbers
LDV DOWNLIGHT XL 930 L100 DALI WT | LDV DOWNLIGHT XL 840 L60 DALI WT | LDV DOWNLIGHT XL 930 L60 DALI WT | LDV DOWNLIGHT XL 840 L100 DALI WT

Technical data

Product description	Type of installation	Number of lighting outlets	Nominal wattage	Color temperature	Beam angle	Lamp wattage
LDV DOWNLIGHT XL 830 L60 WT	Recessed mounting	1	30.00 W	3000 K	60 °	32 W
LDV DOWNLIGHT XL 830 L100 WT	Recessed mounting	1	30.00 W	3000 K	100 °	32 W
LDV DOWNLIGHT XL 840 L60 WT	Recessed mounting	1	30.00 W	4000 K	60 °	32 W
LDV DOWNLIGHT XL 840 L100 WT	Recessed mounting	1	30.00 W	4000 K	100 °	32 W
LDV DOWNLIGHT XL 930 L100 DALI WT	Recessed mounting	1	28.00 W	3000 K	100 °	32 W
LDV DOWNLIGHT XL 840 L60 DALI WT	Recessed mounting	1	28.00 W	4000 K	60 °	32 W
LDV DOWNLIGHT XL 930 L60 DALI WT	Recessed mounting	1	28.00 W	3000 K	60 °	32 W
LDV DOWNLIGHT XL 840 L100 DALI WT	Recessed mounting	1	28.00 W	4000 K	100 °	32 W

Product description	Nominal voltage	Mains frequency	Nominal current	Length	Width	Height
LDV DOWNLIGHT XL 830 L60 WT	220...240 V	50/60 Hz	0.14 A	195.0 mm	195.0 mm	120.0 mm
LDV DOWNLIGHT XL 830 L100 WT	220...240 V	50/60 Hz	0.14 A	195.0 mm	195.0 mm	120.0 mm

LDV DOWNLIGHT XL 840 L60 WT	220...240 V	50/60 Hz	0.14 A	195.0 mm	195.0 mm	120.0 mm
LDV DOWNLIGHT XL 840 L100 WT	220...240 V	50/60 Hz	0.14 A	195.0 mm	195.0 mm	120.0 mm
LDV DOWNLIGHT XL 930 L100 DALI WT	220...240 V	50/60 Hz	0.13 A	195.0 mm	195.0 mm	120.0 mm
LDV DOWNLIGHT XL 840 L60 DALI WT	220...240 V	50/60 Hz	0.13 A	195.0 mm	195.0 mm	120.0 mm
LDV DOWNLIGHT XL 930 L60 DALI WT	220...240 V	50/60 Hz	0.13 A	195.0 mm	195.0 mm	120.0 mm
LDV DOWNLIGHT XL 840 L100 DALI WT	220...240 V	50/60 Hz	0.13 A	195.0 mm	195.0 mm	120.0 mm

Product description	Body material	Product color	Glow Wire Test according to IEC 695-2-1	Equipment	Adjustable	Type of connection
LDV DOWNLIGHT XL 830 L60 WT	Aluminum	White	960 °C	LED OSOLON	No	Connector
LDV DOWNLIGHT XL 830 L100 WT	Aluminum	White	960 °C	LED OSOLON	No	Connector
LDV DOWNLIGHT XL 840 L60 WT	Aluminum	White	960 °C	LED OSOLON	No	Connector
LDV DOWNLIGHT XL 840 L100 WT	Aluminum	White	960 °C	LED OSOLON	No	Connector
LDV DOWNLIGHT XL 930 L100 DALI WT	Aluminum	White	960 °C	LED OSOLON	No	Clamp connector

LDV DOWNLIGHT XL 840 L60 DALI WT	Aluminum	White	960 °C	LED OSOLON	No	Clamp connector
LDV DOWNLIGHT XL 930 L60 DALI WT	Aluminum	White	960 °C	LED OSOLON	No	Clamp connector
LDV DOWNLIGHT XL 840 L100 DALI WT	Aluminum	White	960 °C	LED OSOLON	No	Clamp connector

Product description	Protection class	Type of protection
LDV DOWNLIGHT XL 830 L60 WT	II	IP21
LDV DOWNLIGHT XL 830 L100 WT	II	IP21
LDV DOWNLIGHT XL 840 L60 WT	II	IP21
LDV DOWNLIGHT XL 840 L100 WT	II	IP21
LDV DOWNLIGHT XL 930 L100 DALI WT	II	IP21
LDV DOWNLIGHT XL 840 L60 DALI WT	II	IP21
LDV DOWNLIGHT XL 930 L60 DALI WT	II	IP21
LDV DOWNLIGHT XL 840 L100 DALI WT	II	IP21

Equipment / Accessories

- Opaque diffuser for glare-free lighting

Application advice

For more detailed application information and graphics please see product datasheet.

Disclaimer

Subject to change without notice. Errors and omission excepted. Always make sure to use the most recent release.